

# kargo

# INDUSTRIAL ELECTRIC VEHICLE

Interchangeable battery pack

Programmable controller

Regenerative brake

Modular

Ease of maintenance

100% Aluminum

Recyclable

Ergonomic

AC Motor



## UNITS

Base model

Closed box



Tilting

Drop sides



**For more information, contact:**

Pierre Dion: 418-948-1070

350 East Charest Blvd, 1st Floor

Quebec (Quebec) G1K 3H4

pierre.dion@precicad.com

## STANDARD VEHICLE SPECIFICATIONS

<b>Model:</b>	Standard flat bed with battery pack
<b>Motor:</b>	48 volts - AC 4 Kw (5.4 hp)
<b>Overall Dimensions:</b>	2.0m (height) x 3.4m (length) x 1.27m (width) 79" (height) x 132" (length) x 50" (width)
<b>Wheel Base:</b>	XP: 1.30m - 51"    XL: 1.60m - 63"
<b>Weight (with 1 battery pack):</b>	818 kg - 1500 lbs
<b>Maximum Speed:</b>	40 km/hr
<b>Travel Distance:</b>	30 km (1 battery pack)
<b>Load Capacity:</b>	455 kg - 1000 lbs
<b>Turning Radius:</b>	XP: 2900mm - 9.5 ft    XL: 3960mm - 13 ft
<b>Controller:</b>	Programmable (speed, acceleration, deceleration, etc.)
<b>Batteries:</b>	4 batteries X 12 volts 140 AH
<b>Brakes:</b>	Rear drum brake and Front regenerative brake
<b>Steering:</b>	Rack and pignon
<b>Front Suspension:</b>	Independent, MacPherson type
<b>Rear Suspension:</b>	Independent with swing arm
<b>Seats (2):</b>	Ajustable with seat belt
<b>Tires:</b>	13" - air (standard)
<b>Tow Hook:</b>	According to client's specifications
<b>Battery Charger:</b>	48 volts - 18 A

## STANDARD ACCESSORIES

Headlights (2)
Taillights (2)
Parking brake
Gyalite
Horn
Dome Light
Bumper, front and rear with rubber
Back Alarm
Windshield wiper
Rearview mirror
Fan

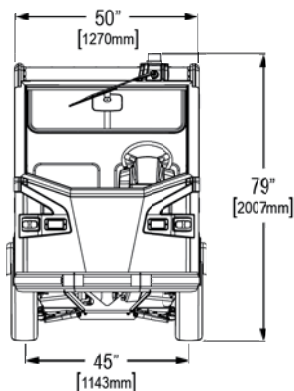
## OPTIONS:

Retractable extension
Electric power steering
Additional Battery Box (60 km travel distance)
Turn signal light
Folding outside mirrors
4 wheel drive (in development)
Aluminum hubs
Anti-puncture tires
Side rack (fixed)
Side rack (swivel)
Front disk brakes
Front hinged door

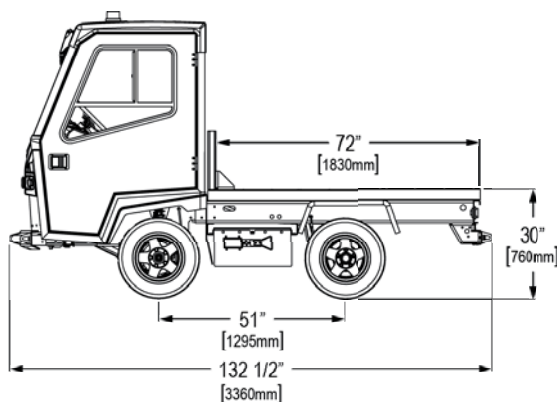
## REAR UNITS:

Short flat bed
Passengers
Tool carrier
Storage drawers
Closed box
Dump body
Tarp box
Custom design to client's specifications

## MODELS



## XP



## XL

